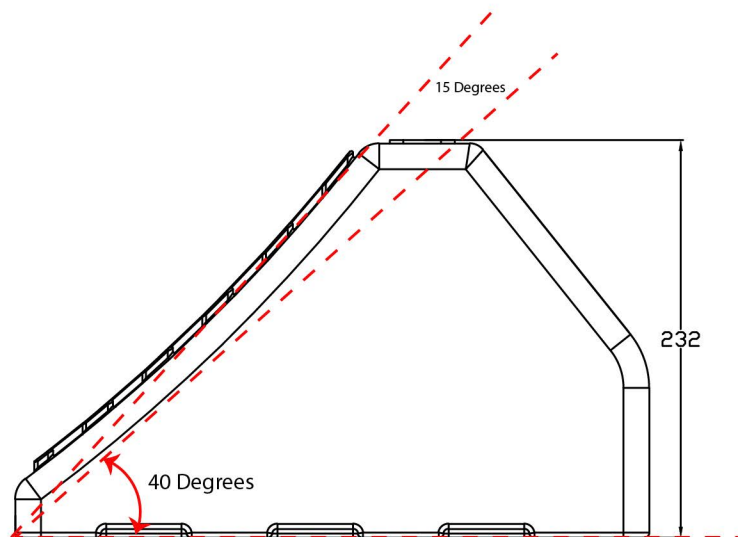
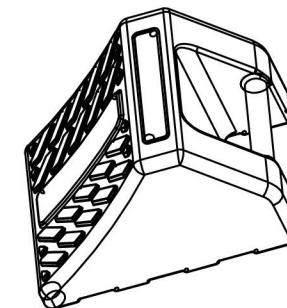
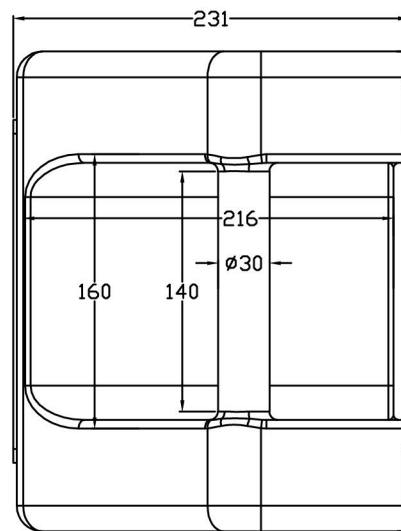
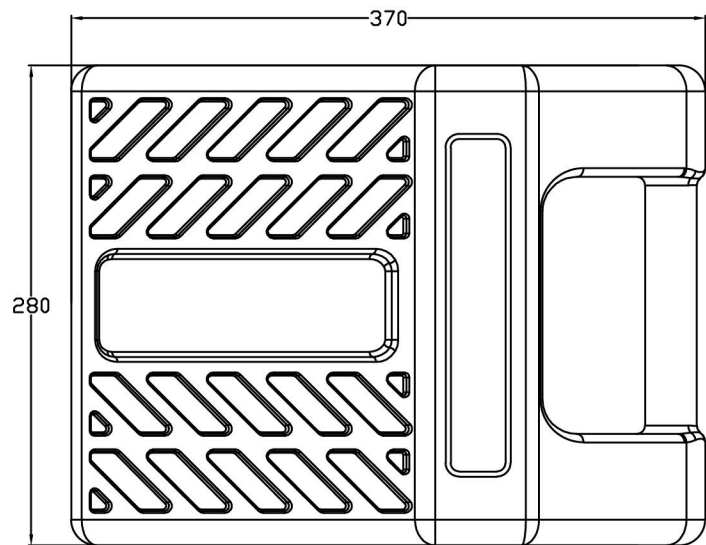



REV	ECD NO.	APPD
A		



UNITS mm	SKU WCHOCKT	SAFETY <b>XPRESS</b> <small>.com.au</small>								
WEIGHT 3 kg		TITLE: Truck Wheel Chock								
FINISH E poly	APPD:	DWG NO.:								
Q'TY	CHKD:	 <table border="1"> <thead> <tr> <th>SCALE</th> <th>SHEET</th> <th>REV.</th> </tr> </thead> <tbody> <tr> <td>1/1</td> <td>1/1</td> <td>A</td> </tr> </tbody> </table>			SCALE	SHEET	REV.	1/1	1/1	A
SCALE	SHEET	REV.								
1/1	1/1	A								