

## DIMENSIONS

↔	WIDTH	1280mm	↘	DEPTH	616mm
↕	HEIGHT	850mm	⚖	WEIGHT	75kgs

## BOX DETAILS

External Locking Points	2 x Whale tail compression handles
Hinge	Full length piano hinge
Rubber Seals	Dust & water seal
Shelves	Size (L x W) 1236mm x 427mm
Mounting System	Channel with slots for adjusting height every 30mm
Fork Entry Bars	3 x 50x50mm channel with mounting points

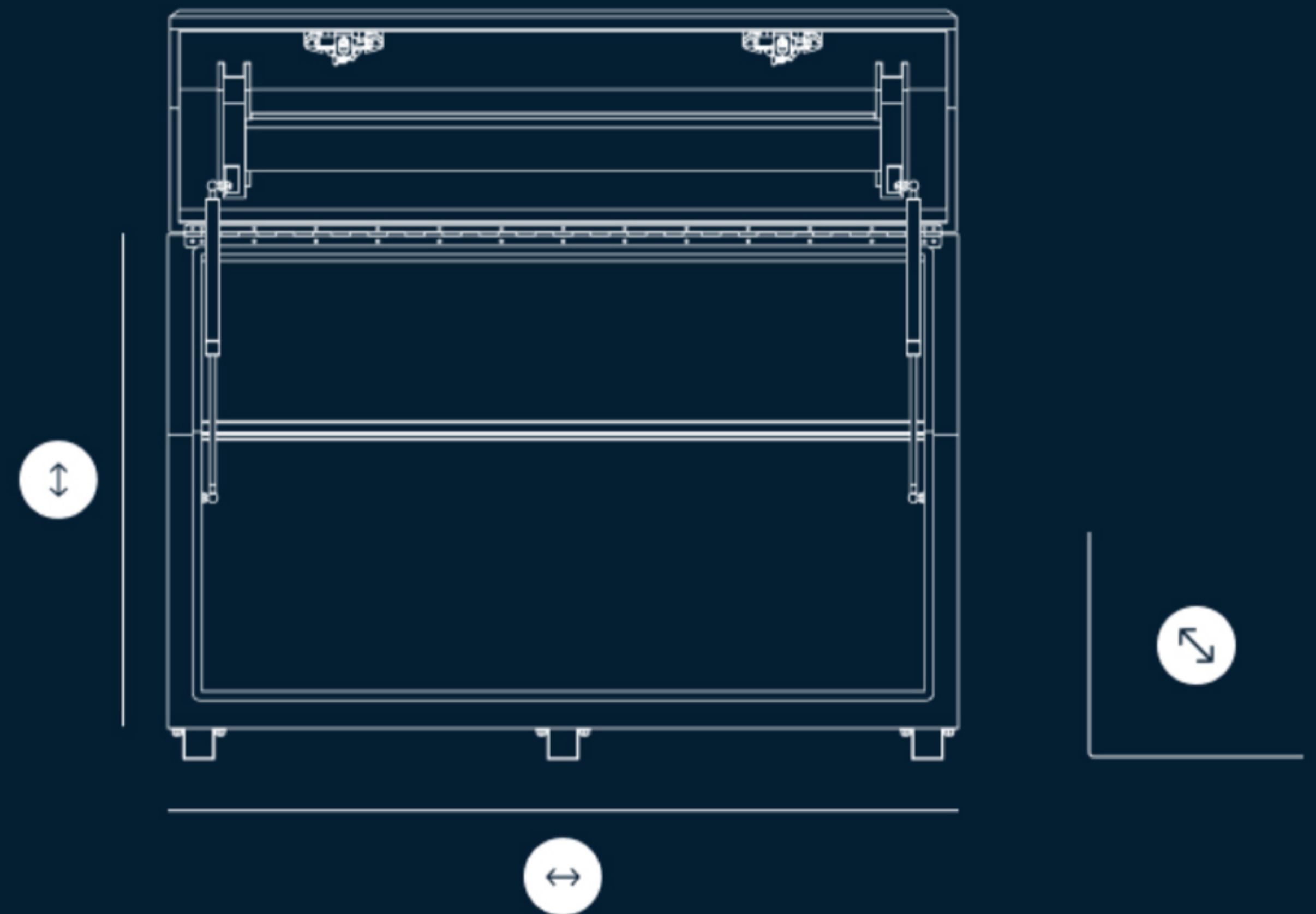
## DIMENSIONS

↔	WIDTH	1565mm	↘	DEPTH	616mm
↕	HEIGHT	850mm	⚖	WEIGHT	90kgs

## BOX DETAILS

External Locking Points	2 x Whale tail compression handles
Hinge	Full length piano hinge
Rubber Seals	Dust & water seal
Shelves	Size (L x W) 1521mm x 427mm
Mounting System	Channel with slots for adjusting height every 30mm
Fork Entry Bars	3 x 50x50mm channel with mounting points

## Ute Tool Boxes Steel Minebox Paramount 850H Series Full Lid - Medium



## Ute Tool Boxes Steel Minebox Paramount 850H Series Full Lid - Large

