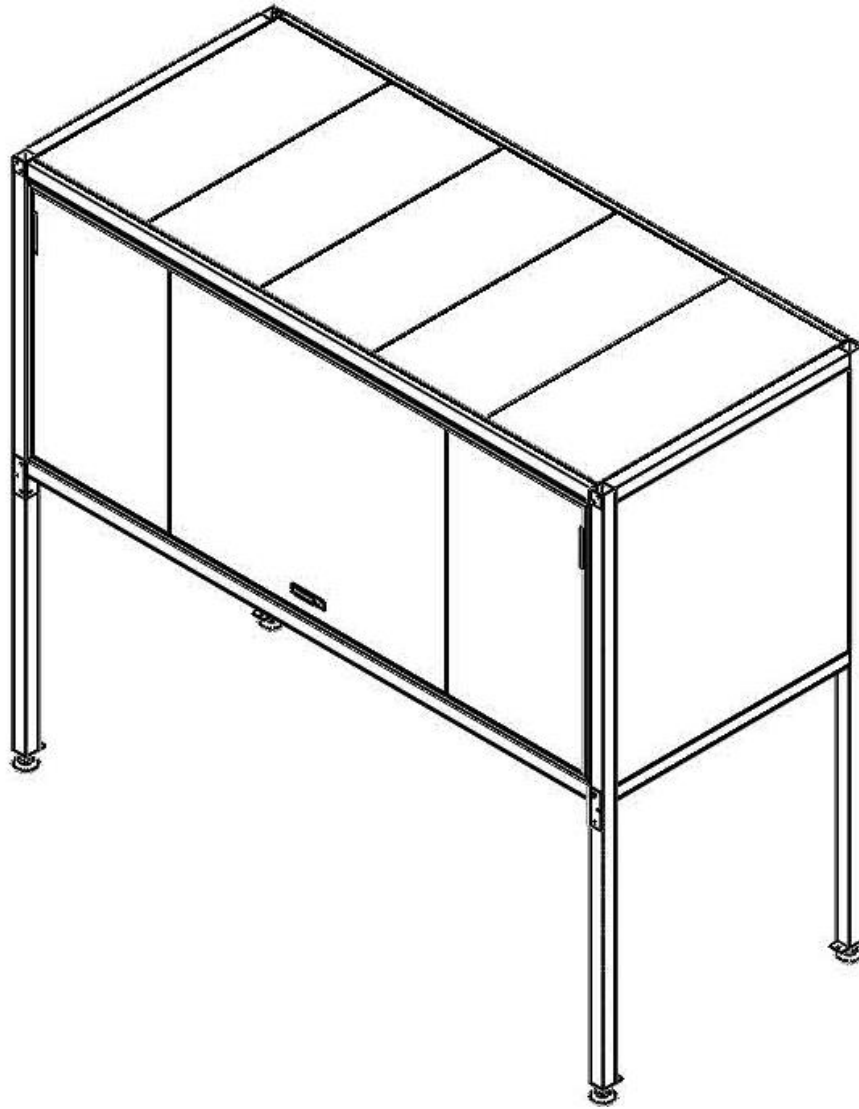


# INSTALLATION MANUAL

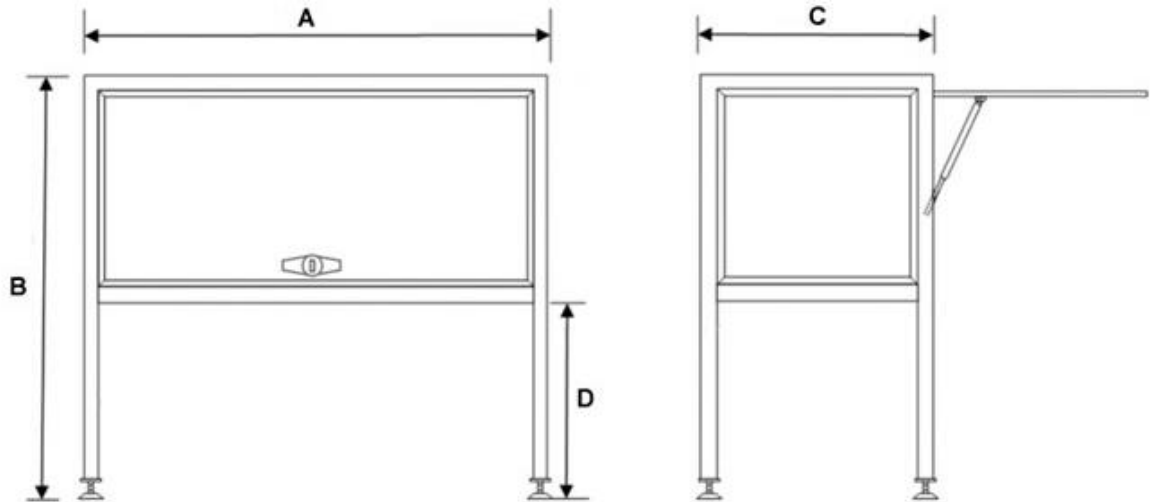
## Contents

Product Feature & Specification .....	Page 2
Parts Drawing.....	Page 3
Installation instructions.....	Page 4-8

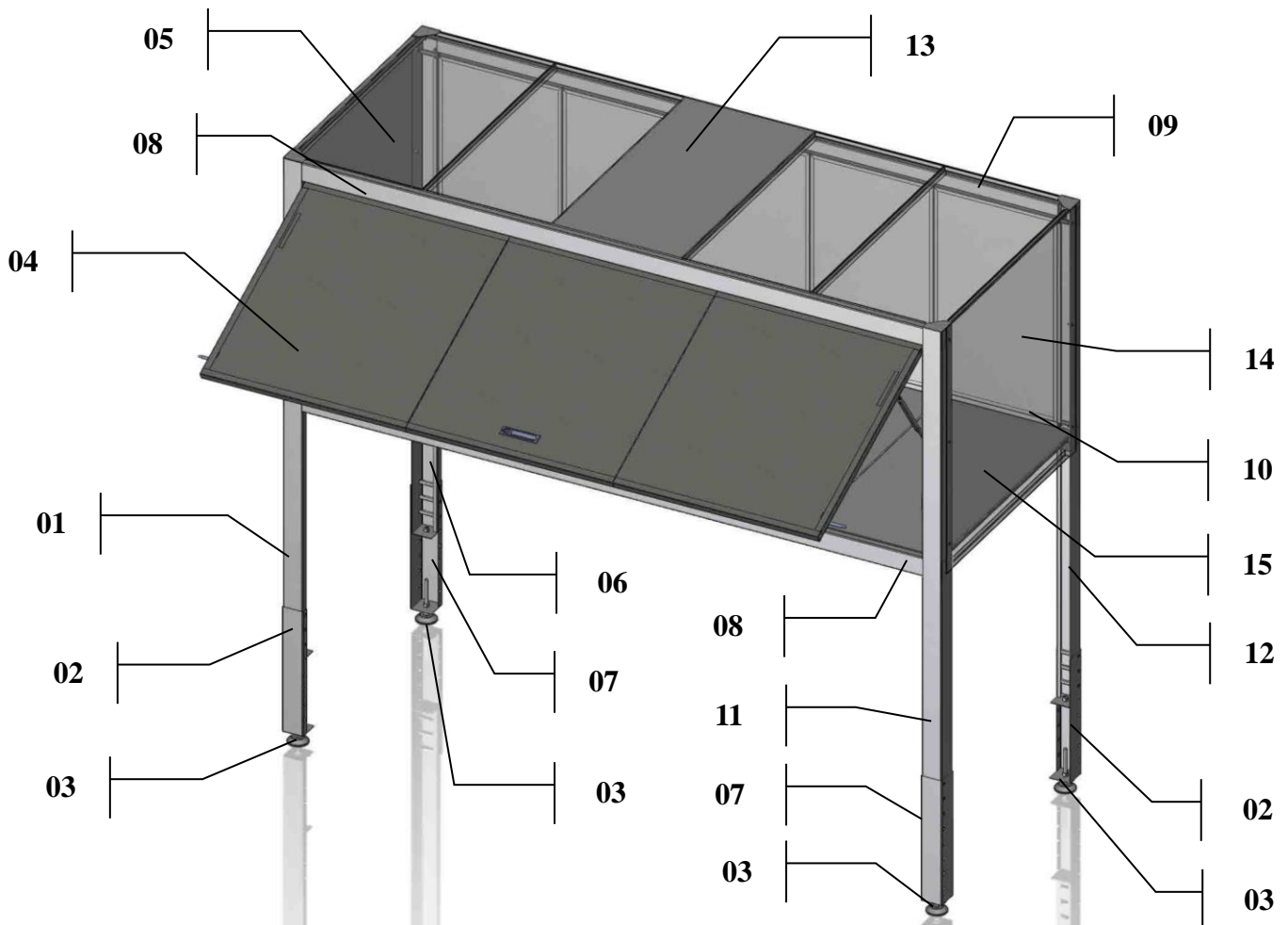




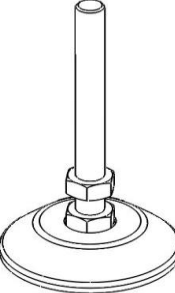
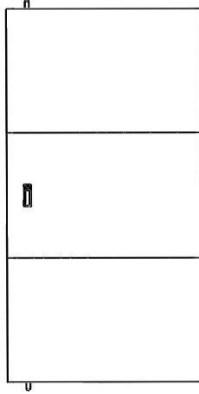
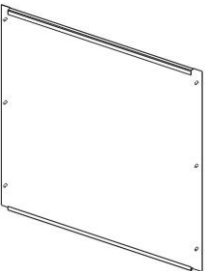
## Product Feature & Specification


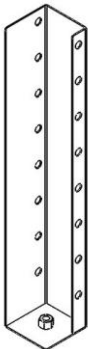



- \* Item#: OBS251010
- \* Material: Cold Rolled Steel & Galvanized Sheet
- \* KD design and EZ assembly
- \* Adjustable Feet
- \* 3 point lock for extra security
- \* Dimensions: 2500(A) x (2000-2300) (B) x 1000(C) x (1000-1300) (D)mm
- \* Storage Capacity: 2.5 cubic meters



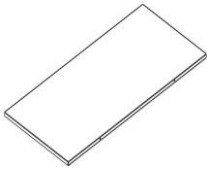
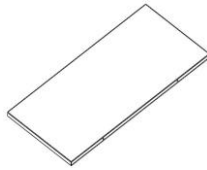
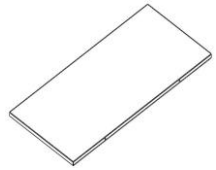


## Parts Drawing



NO.	01	02	03	04	05
Drawing					
DESC/QTY	Front Left leg/1	Adjustable Leg A/2	Height Adjustable Foot M12 /4	Door Plate/1	Side Plate/2

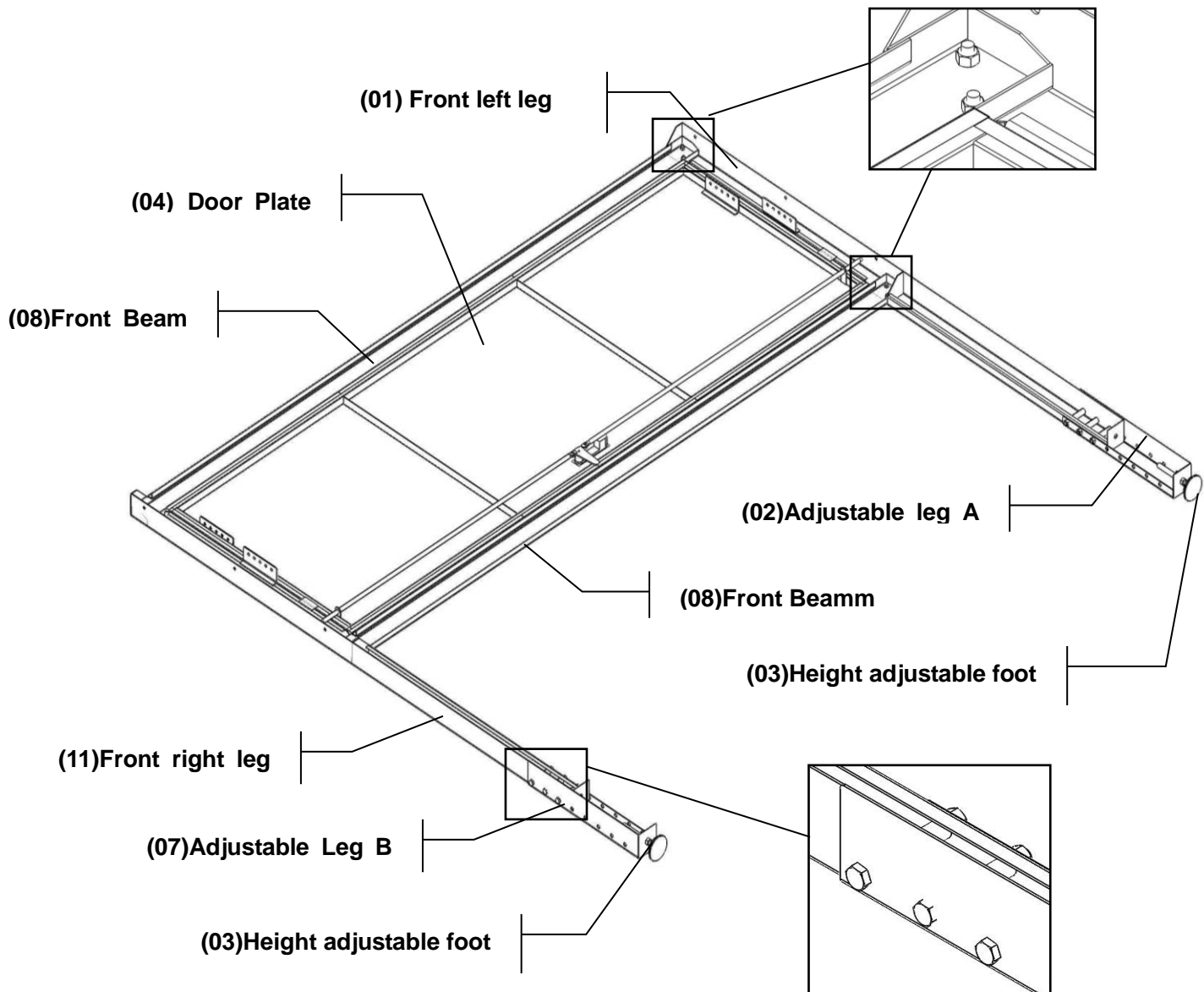
NO.	06	07	08	09	10
Drawing					
DESC/QTY	Back Left leg/1	Adjustable Leg B/2	Front Beam /2	Back top beam/1	Back bottom beam/1

NO.	11	12	13	14	15
Drawing					
DESC/QTY	Front Right Leg /1	Back Right Leg /1	Top panel /5	Back Panel/5	Bottom Panel/5

## Installation instructions

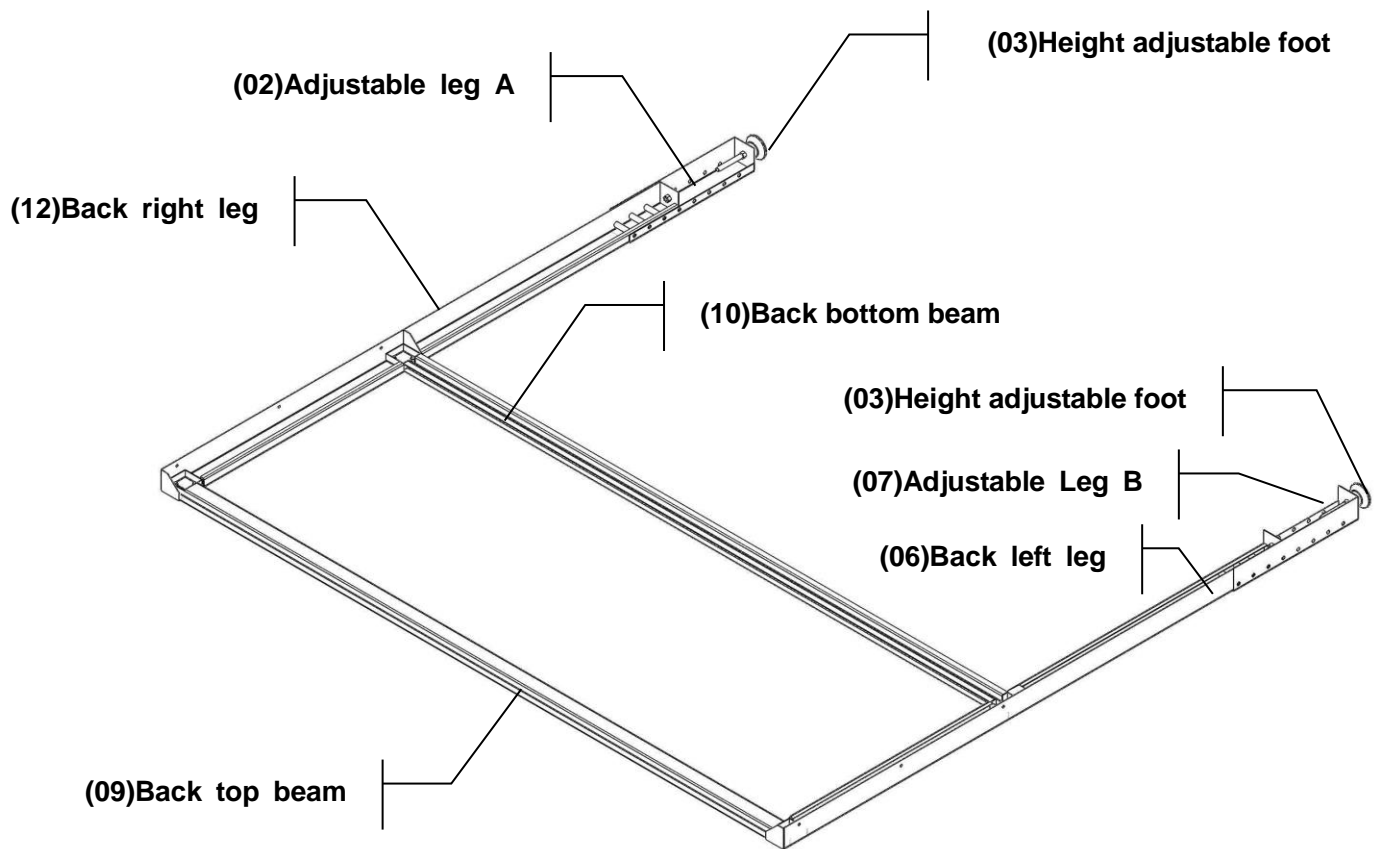
### Step1

- ① To install the parts according to drawing
- ② Lay parts 01、 11 and 08 down and together using the M8 nuts provided as shown.
- ③ Connected with M10 bolts and nuts for parts 11、 07、 01、 02



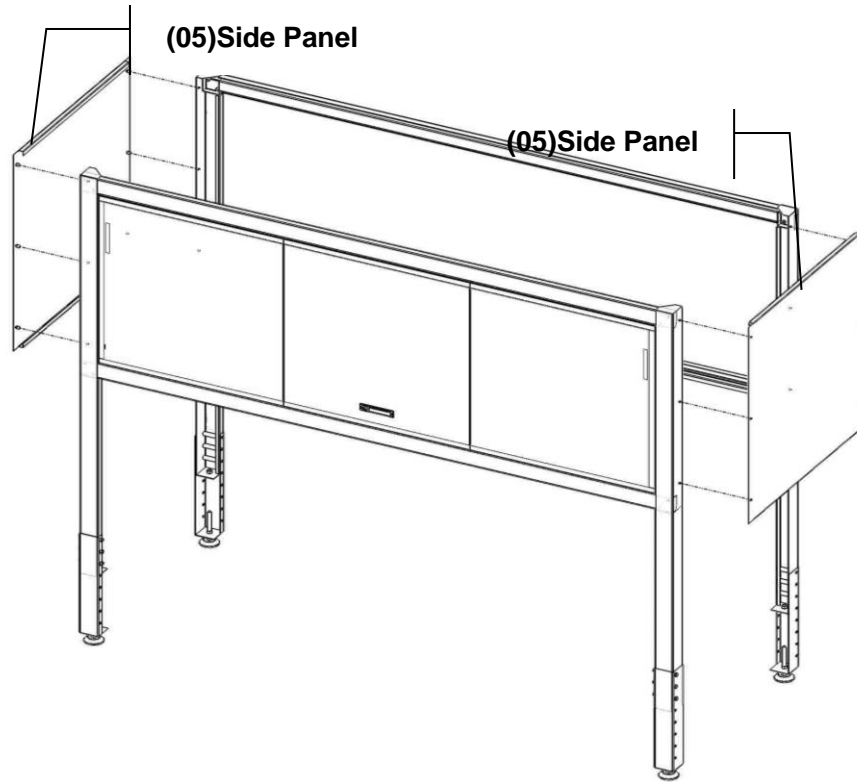
**Step2.**

- ① Assemble back beans and legs using M8 nuts(parts 09、 10、 06、 12)
- ② Connected with M8 bolts and nuts for parts 12、 02、 06、 07



**Step3.**

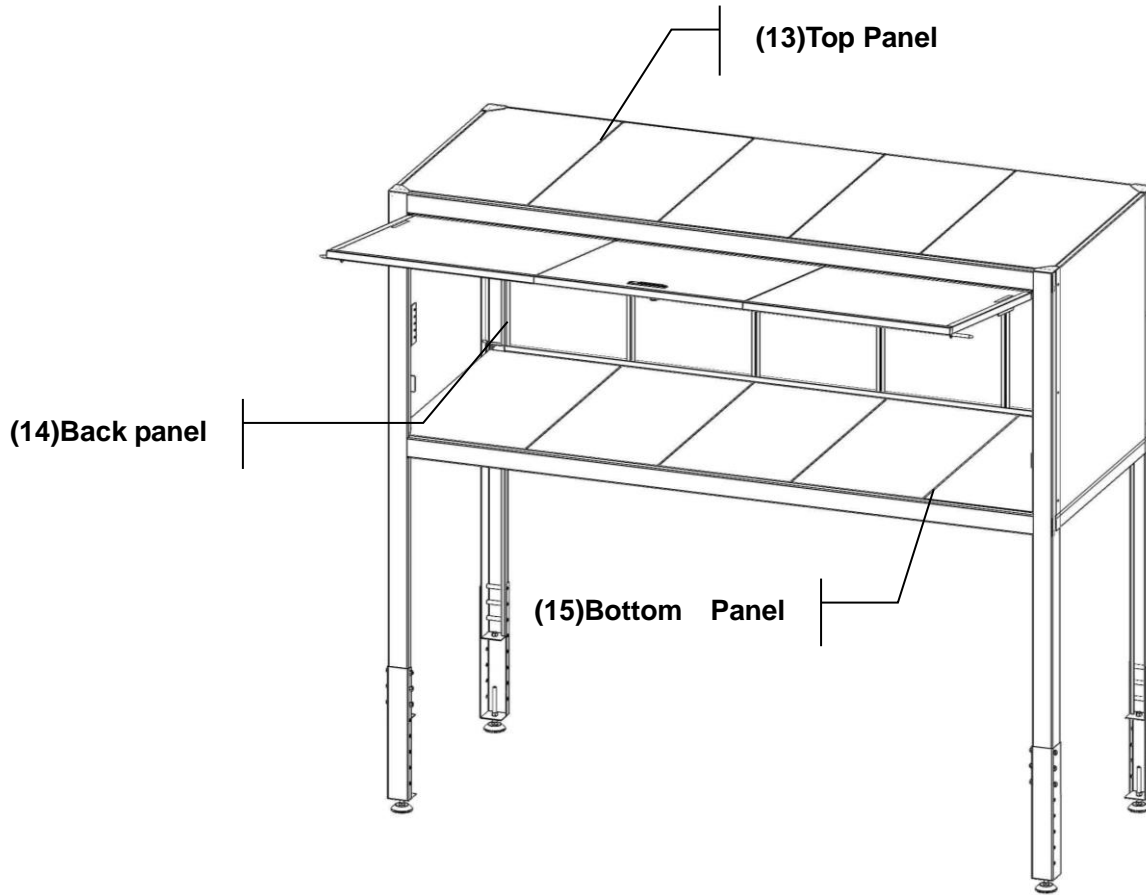
Stand the front and back frames and join together using side panel,connected with M8 nuts.



**Step4.**

Install top panels(13) , back panels(14) and bottom panels(15) as drawing

**IMPORTANT:**Each panel must be fixed with the screws provided.



**Step5.**

Installation of gas struts.Hold door open and install the gas struts provided as per the diagram below.Several holes are provided in order to adjust height of door when open.

