



Surface Mount Bollard

Specifications	
SKU	REMBOLPADSLID
Material	Hot Dip Galvanised Steel
Colour	Powder Coated Yellow with Class 1 Red Reflective Tape
Dimensions:	Height: 1020mm Diameter: 90mm (Pole) 200mm (Base) Wall Thickness: 3mm Base: 4 Mounting Holes
Item Weight	10kg
Fixings	4 x FREE Mounting Bolts Included per bollard (standard fixings kit supplied)

Tools Required:

- Hammer drill with correct sized drill bit
- Countersunk fixings
- A hand broom or industrial vacuum

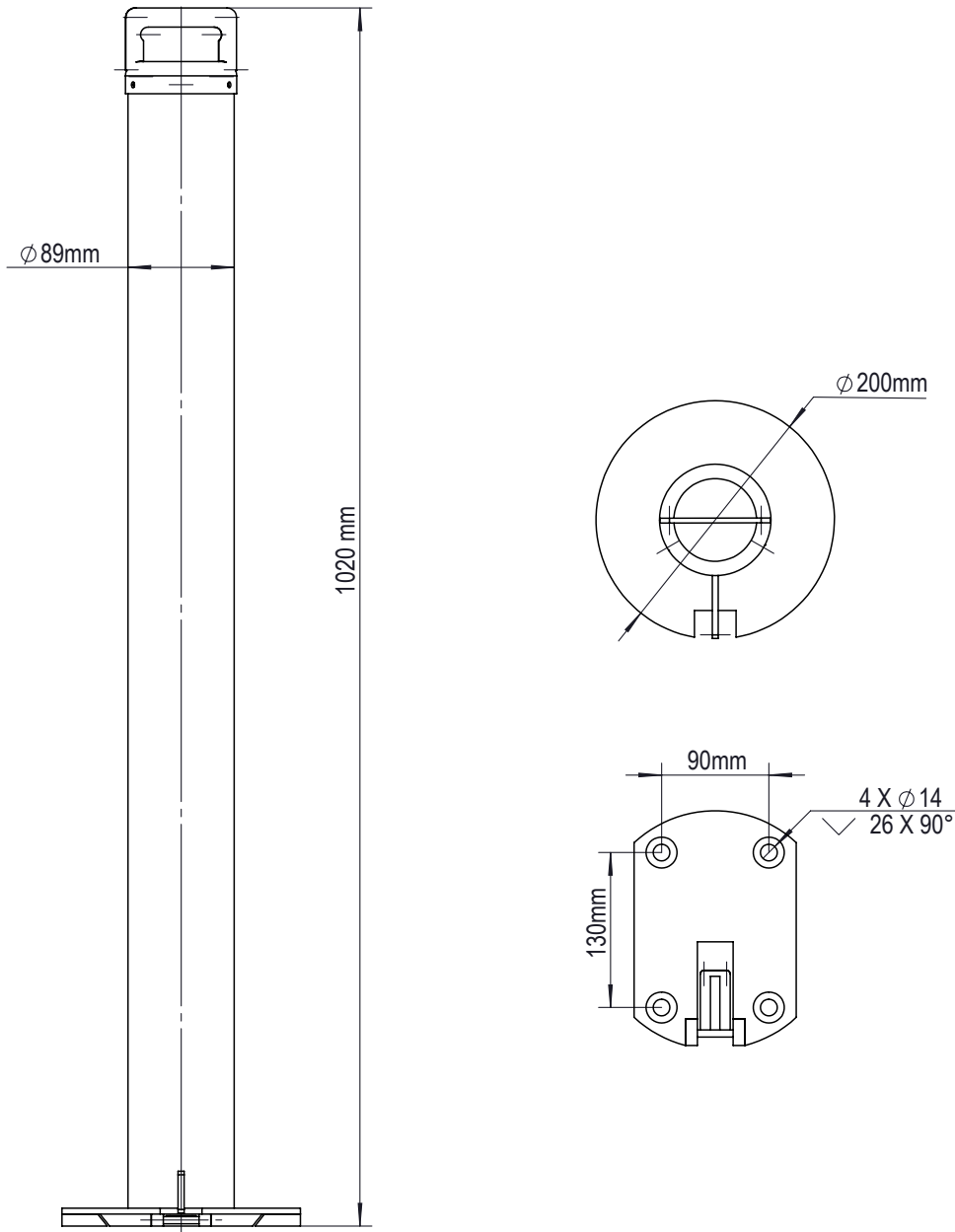


Installation:

1. Read installation guide from beginning to end.
2. Determine exactly where the bollard will be placed. If you are installing more than one bollard, mark the ground to ensure that you have a straight line first.
3. Take the slider receiver plate, drill a guide hole in the surface, This is to mark the surface so that you know where to continue to drill. Continue to drill each guide hole to almost the entire length of your fixings.
4. Remove the slider plate and brush or vacuum away any dust.
6. Secure bollard receiver plate into fixing holes with countersunk fixings.
8. Slide your bollard in / out of slider receiver plate to test a couple of time. Lock into place using a padlock (sold separately).



Technical Drawing



REMBOLPADSLID

