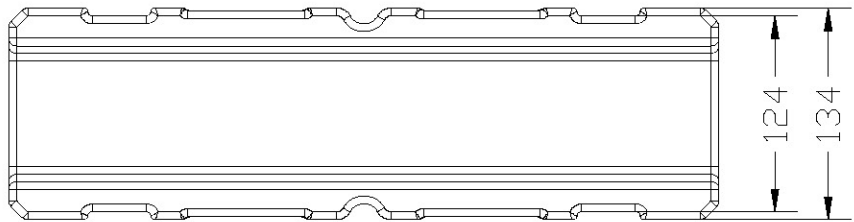
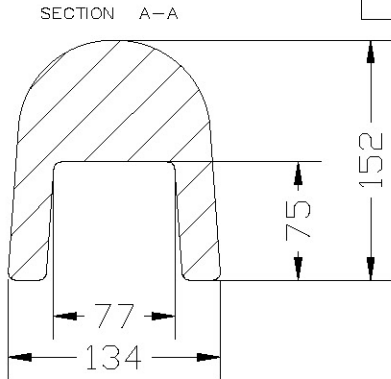
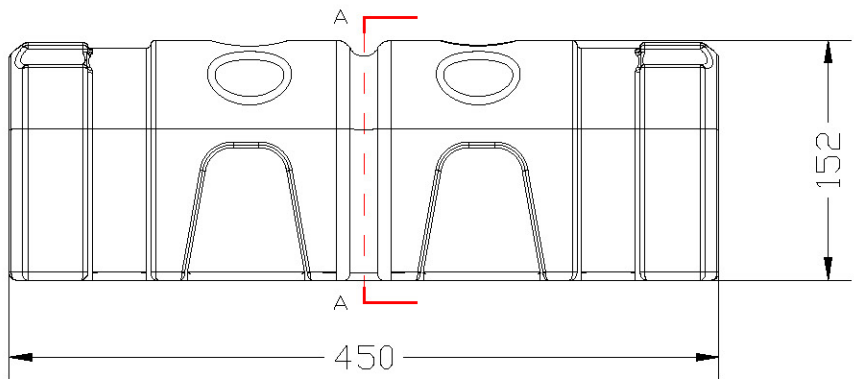
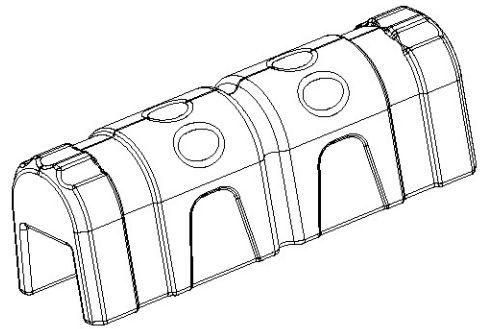
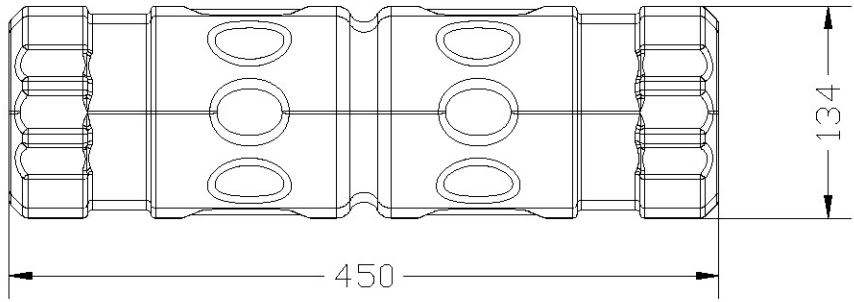


REV	ECD NO.	APPD
A		



x.± 0.2	x.'± 0.2'	UNITS mm
.x± 0.1	.x'± 0.1'	WEIGHT kg
.xx± 0.01	.xx'± 0.01'	FINISH
.xxx±	.xxx'±	

<b>SKU</b> <b>RACBUMP83</b>
PART NO.(INTENDED USE)
APPD:
CHKD:
DR:



**Racking Guard Bumper**

DWG NO.:

	SCALE	SHEET	REV.
	1/1	1/1	A