



**Double Decker Bike Rack
Fits 4 Bikes - 2 Up, 2 Down**

Specifications	
SKU	GBIKERACKDD4
Description	Double Decker Bike Rack
Assembled Size	Length: 1890mm Width: 1210mm Height: 1801mm
Colour	Silver
Material	Galvanised Steel

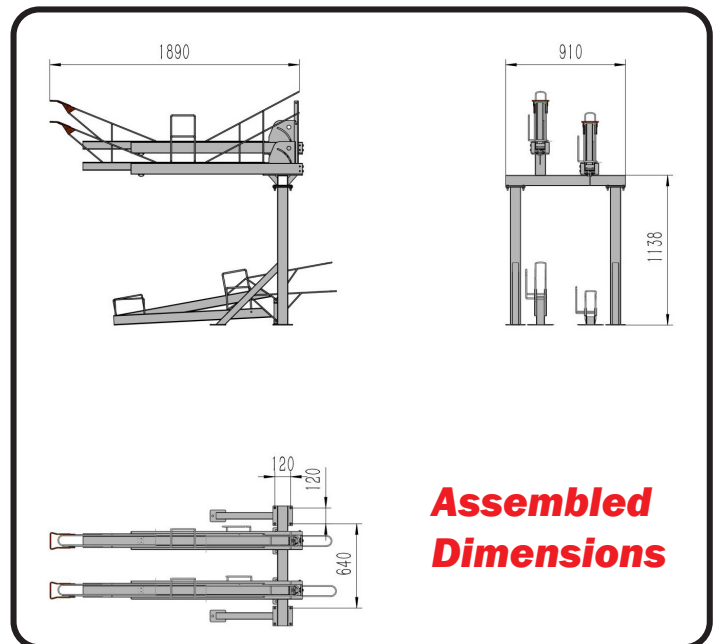
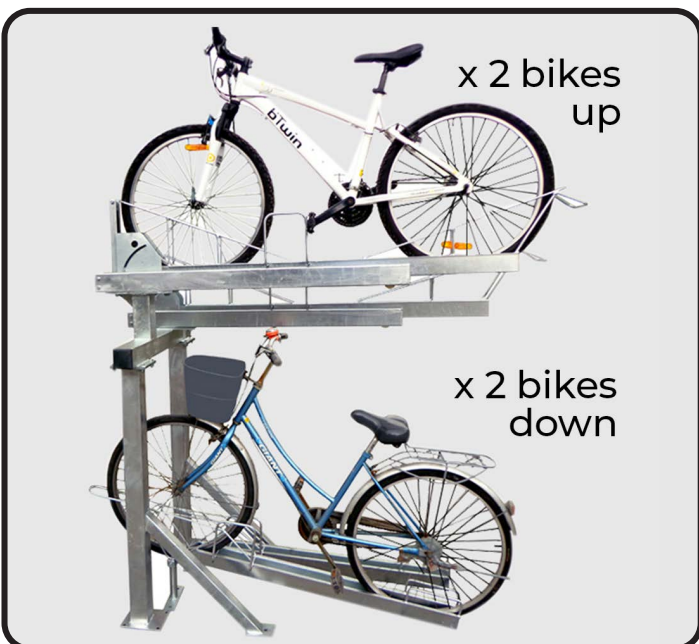
Safety Xpress Double Decker Bike Rack is perfect for anywhere that needs bike parking solutions for multiple bikes such as apartment blocks, schools, universities, shopping centres, train stations, and other public areas.

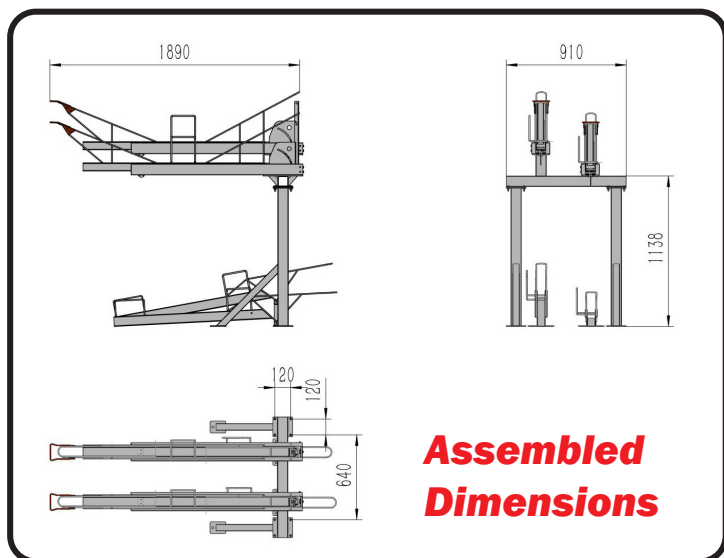
You can install multiple units in a row to make up required length. Our product is durable, long lasting, and easy to install. We also have 6,8,10 double decker multi bike racks available.

Please read this installation guide thoroughly, from start to finish, before installing this unit.

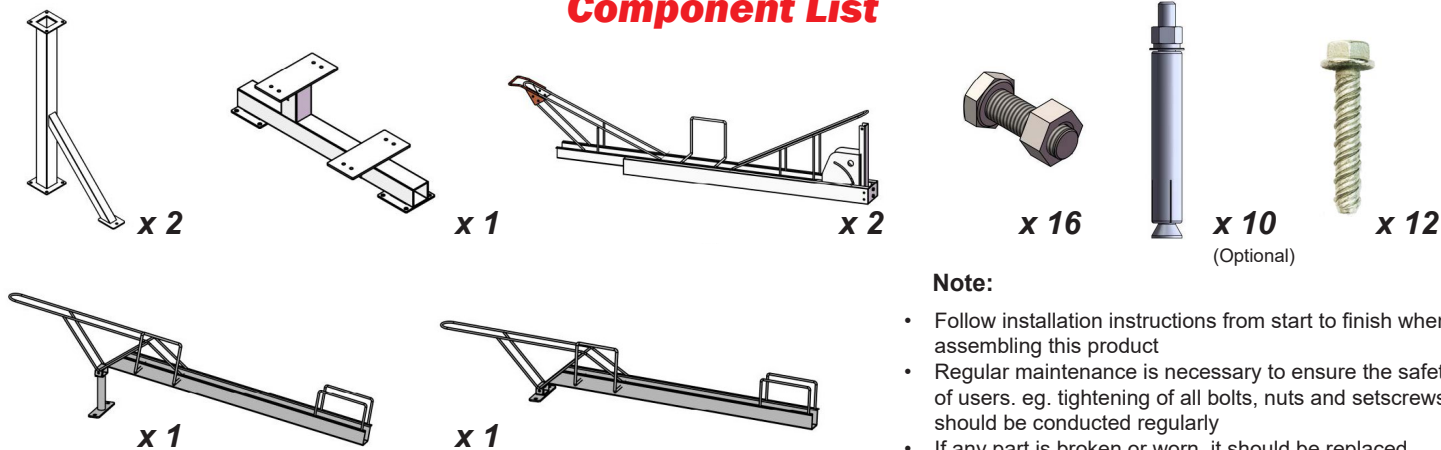
Regular maintenance is necessary to ensure user safety.

12 MONTHS
WARRANTY

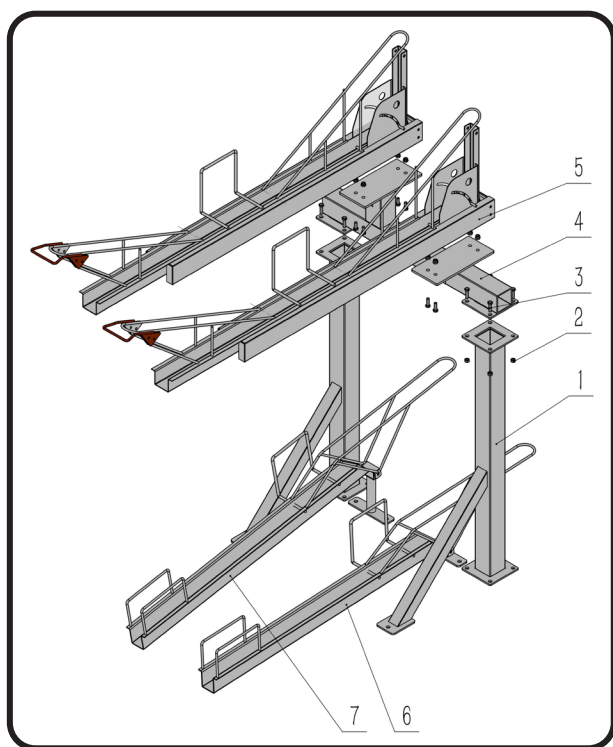




Component List



General Installation Diagram



ITEM NO.	DESCRIPTION	QTY
1	Support Leg Assembly	2
2	M10 Nut	16
3	M10 Bolt	16
4	Welded Beam Assembly	1
5	Upper Bicycle Frame Bracket	1
6	Lower Bicycle Frame Low Parking Bracket	1
7	Lower Bicycle Frame High Parking Bracket	1

Tools Required (Not Provided)

- Impact drill
- Wrench
- Tape Measure
- Marker

Installation Instructions

ITEM NO.	DESCRIPTION	QTY
1	Support Leg Assembly	2
2	M10 Nuts	8
3	Welded Beam Assembly	1
4	M10 x 30 Bolts	8

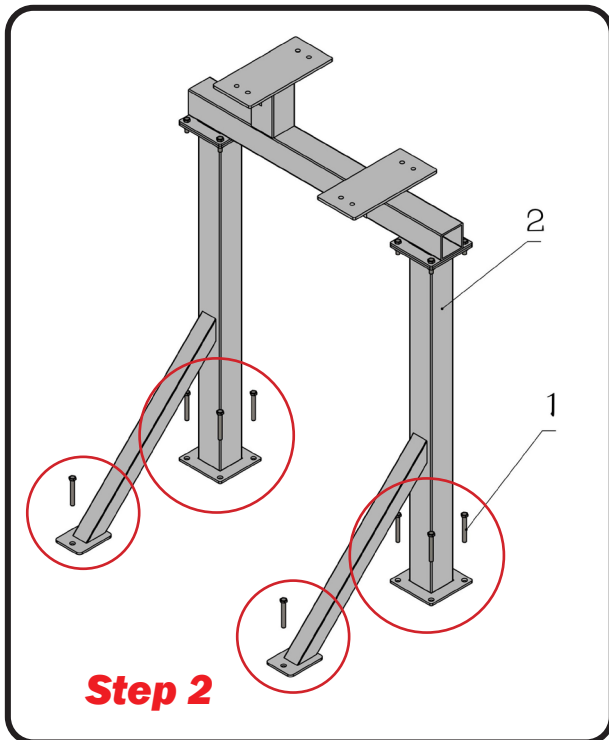
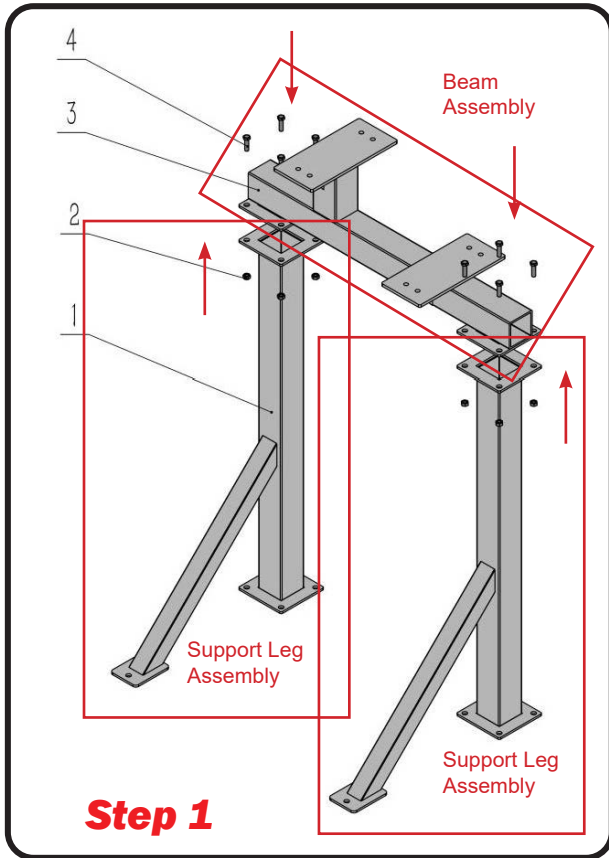
Step 1

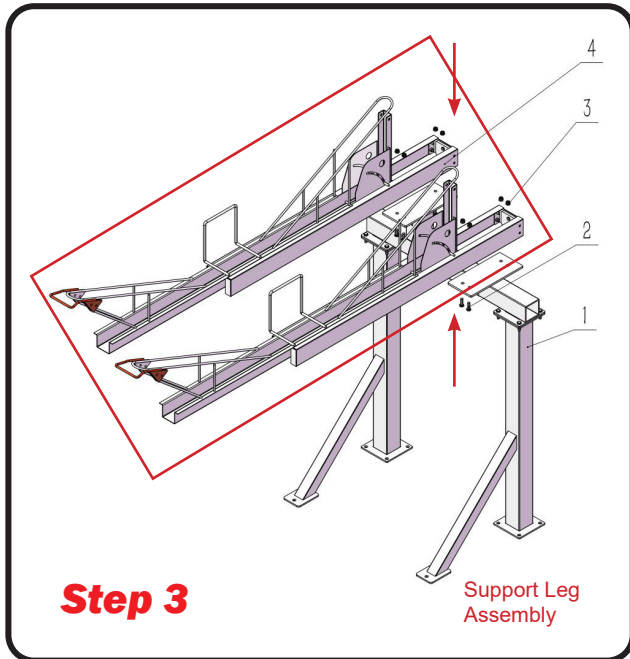
- Install Welded Beam Assembly (item no.3 x 1pcs) onto Support Leg Assembly (item no.1 x 2 pcs)
- M10 Nuts and Bolts are provided, required qty's are listed above

ITEM NO.	DESCRIPTION	QTY
1	M10 Expansion Bolts	14
2	Support Leg Assembly	2

Step 2

- After Support Legs and Beam Assembly are assembled together, mark the flange installation hole position with a marker.
- Using the M10 Expansion Bolts provided, bolt the legs down to ground.
- Note: suitable for installation onto concrete surfaces



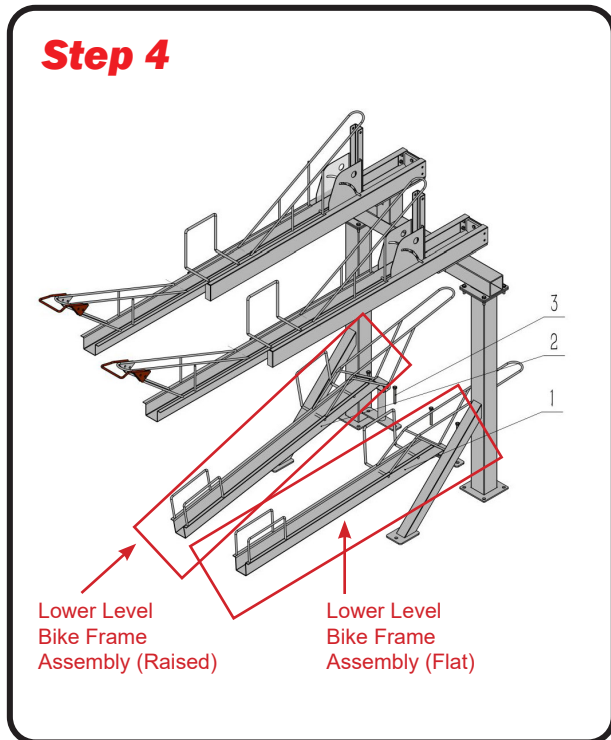


Installation Instructions

ITEM NO.	DESCRIPTION	QTY
1	Support Leg Assembly	2
2	M10 Bolts	8
3	M10 Nuts	1
4	Upper Level Bike Frame Assembly	8

Step 3

- Install Upper Level Bike Frame Assembly (item no.4 x 2pcs) onto Support Leg Assembly
- M10 Nuts and Bolts are provided, required qtys are listed above



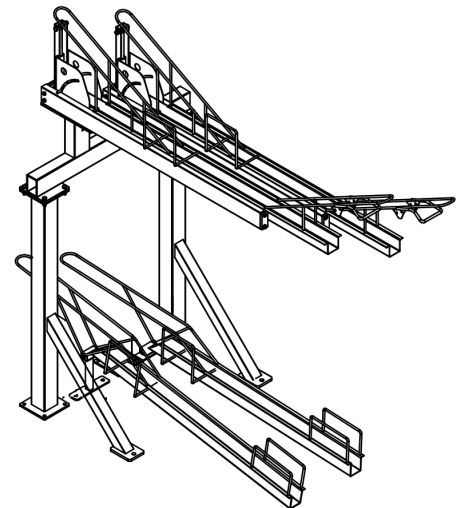
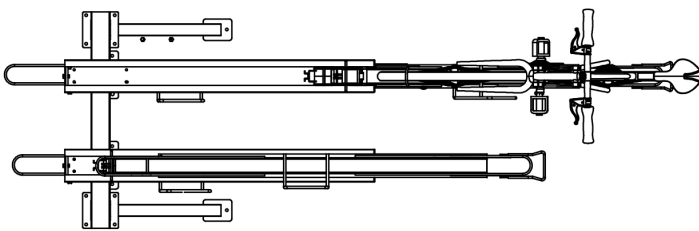
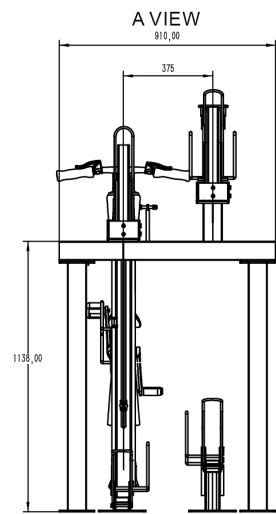
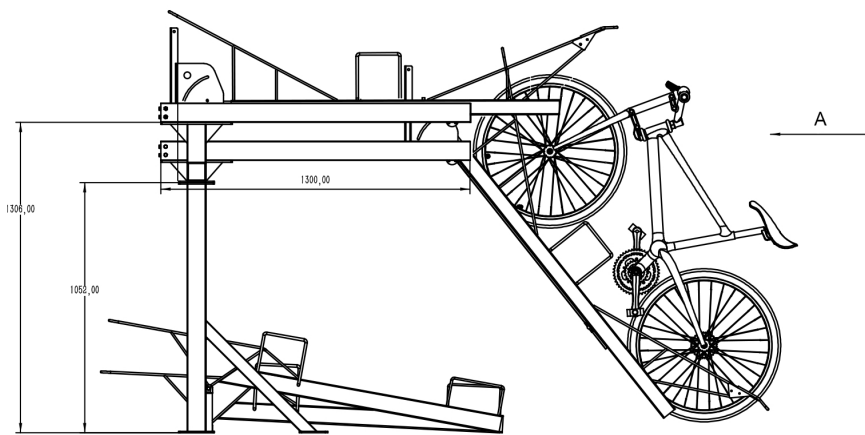
ITEM NO.	DESCRIPTION	QTY
1	Lower Level Bike Frame Assembly (Flat)	1
2	Lower Level Bike Frame Assembly (raised)	1
3	M10 Expansion Bolts	4

Step 4

- Fix Lower Level Bike Frame Assembly (raised) onto ground according to drawing
- Fix Lower Level Bike Frame Assembly (flat) onto ground according to drawing
- M10 Expansion Bolts are provided
- Note: suitable for installation onto concrete surfaces only

**Double Decker Bike Rack
Fits 4 Bikes - 2 Up, 2 Down**

Assembled Product Drawing



SKU: GBIKERACKDD4
DOUBLE DECKER BIKE RACK
FITS 4 BIKES (2 UP, 2 DOWN)