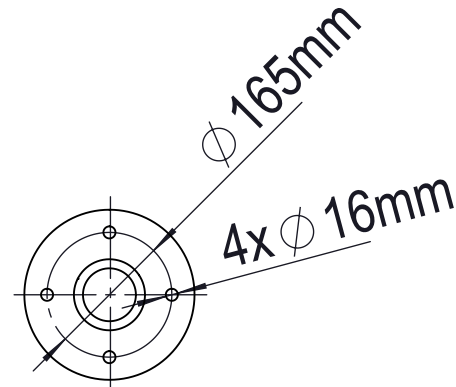
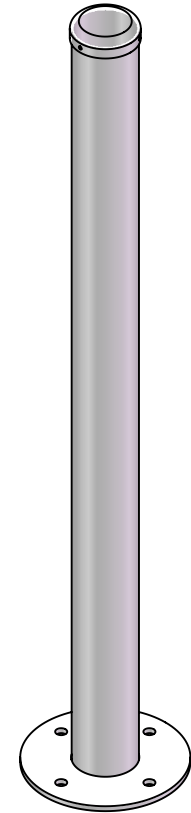


Front View



Top View



			Surface Mount 90mm x1200mm Bollard Standard Fixing Kit included
			Finish Galvanised Steel, with Class 1 Red Reflective Tape and metal knock-on cap at top
version	scale	SKU	
1.1	A		